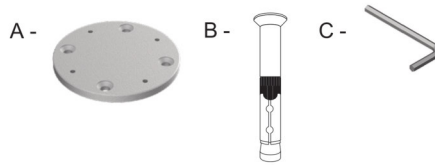


MKC23 | CONCRETE MOUNT KIT

Concrete Mount Kit includes:

- A - (1) Adapter Plate
- B - (4) Expansion Bolts
- C - (1) 6mm Hexagon Wrench

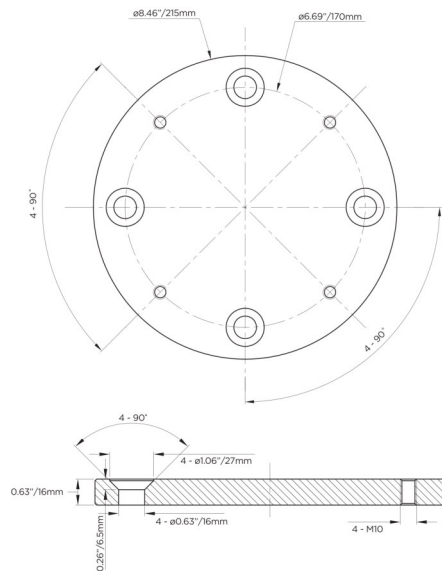


Final installation hardware should be determined by and professionally installed by a license contractor. See disclaimer on page 10.

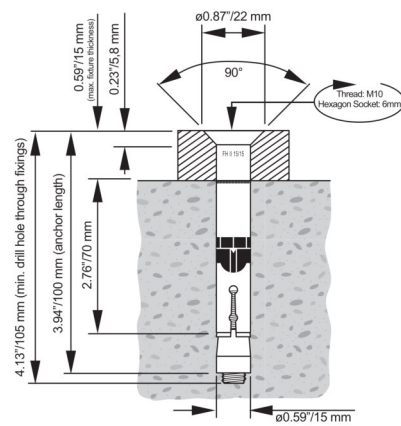
DRILLING CONCRETE

- Drill (4) holes on concrete according to countersunk holes in diagram below for expansion bolts. Hold depth should be no less than 4"/100mm.

Adapter Plate Specifications



Expansion Bolt Specifications

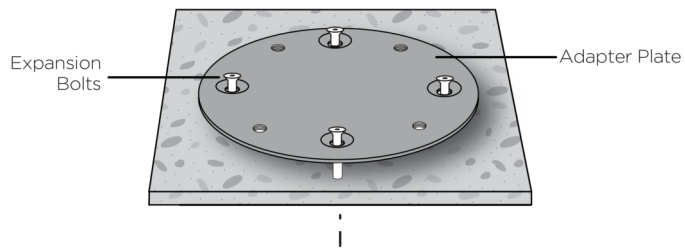


BOLT ADAPTER PLATE

- Make sure all adapter plate holes align with drilled holes in concrete.
- Insert (4) expansion bolts into countersunk holes on adapter plate and tighten using hexagon wrench.

NOTE:

- Concrete should be at least 6" thick (8" for rooftop applications).

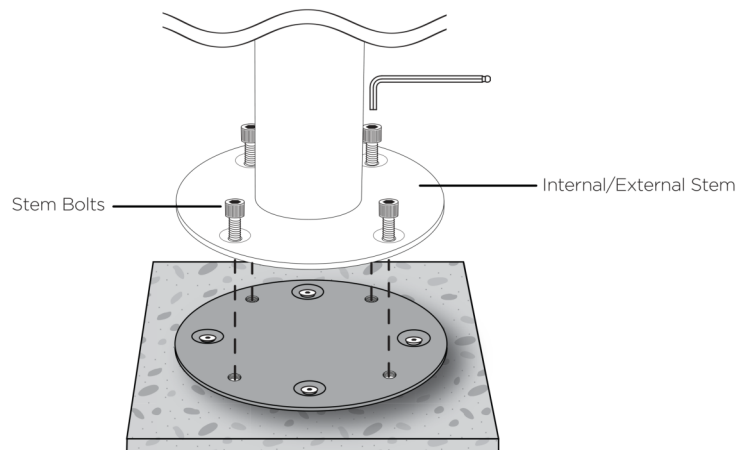


BOLT INTERNAL/EXTERNAL STEM TO ADAPTER PLATE

- Align internal/external stem holes with adapter plate holes.
- Insert (4) stem bolts and tighten using hexagon wrench to secure.

NOTE:

- Internal stem, stem bolts and hexagon wrench are included with Atlas, Astral, Solairs, Polaris, Orion styles.
- For Libra installation, external stem is sold separately.



INSTALL UMBRELLA

- Slide umbrella mast over the newly installed internal/external stem.
- See your umbrella instruction manual for further assistance.

REMOVAL:

- To remove your umbrella for seasonal storage or to move it to another adapter plate or in-ground fitting, simply undo stem bolts and remove umbrella from the adapter plate.