

VI. Installation Instructions



P3 - P4

Manual - warranty

Congratulations, you are the owner of a Prostor quality product. Your parasol has been produced with the greatest care, meets the strictest quality standards and has been given a serial number, which you can find at page 16. This manual contains important information for a correct installation, a correct use and the maintenance of your PROSTOR umbrella. Read this manual attentively and keep it for future use.

VI. Installation Instructions



P3 - P4

Safety instructions

Read the manual thoroughly before you mount the umbrella.

A correct placement is crucial for the correct operation of the umbrella. Any disregard of the safety instructions or regulations can result in serious damage. The manufacturer is not liable for any installation faults.

The wind resistance of the umbrellas is limited. Sufficient base weight must be used to secure umbrellas at all times. Keep in mind that the steel base is less stable than a ground anchor. The installation should be done by a certified technician according to the local regulations and assuring the stability of the umbrella and the wall (for wall mounting umbrellas).

While Prostor umbrellas are made to withstand some wind, it is recommended to always close the umbrellas during windy conditions and when it is unsupervised. Unpredictable wind or storm can cause serious damage to sunshade and human being! Also close your umbrella in bad weather conditions such as rain, snow, wind and hail.

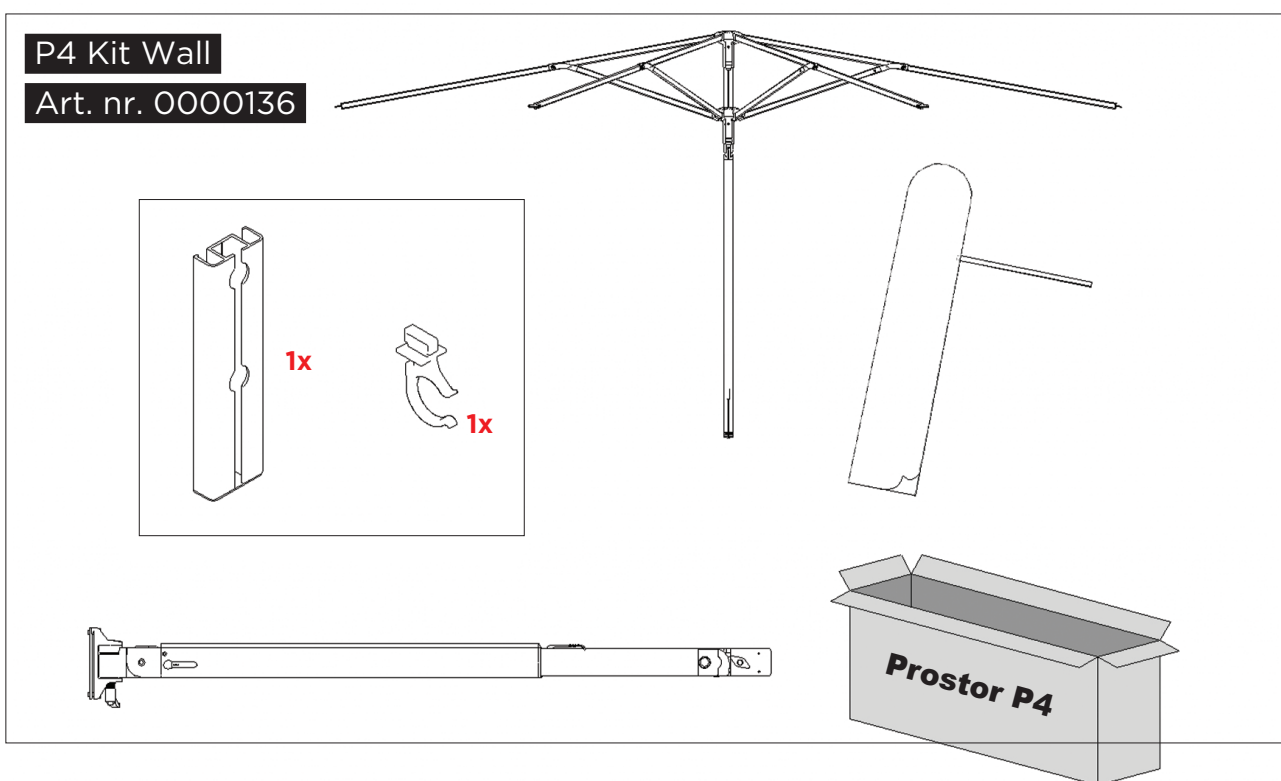
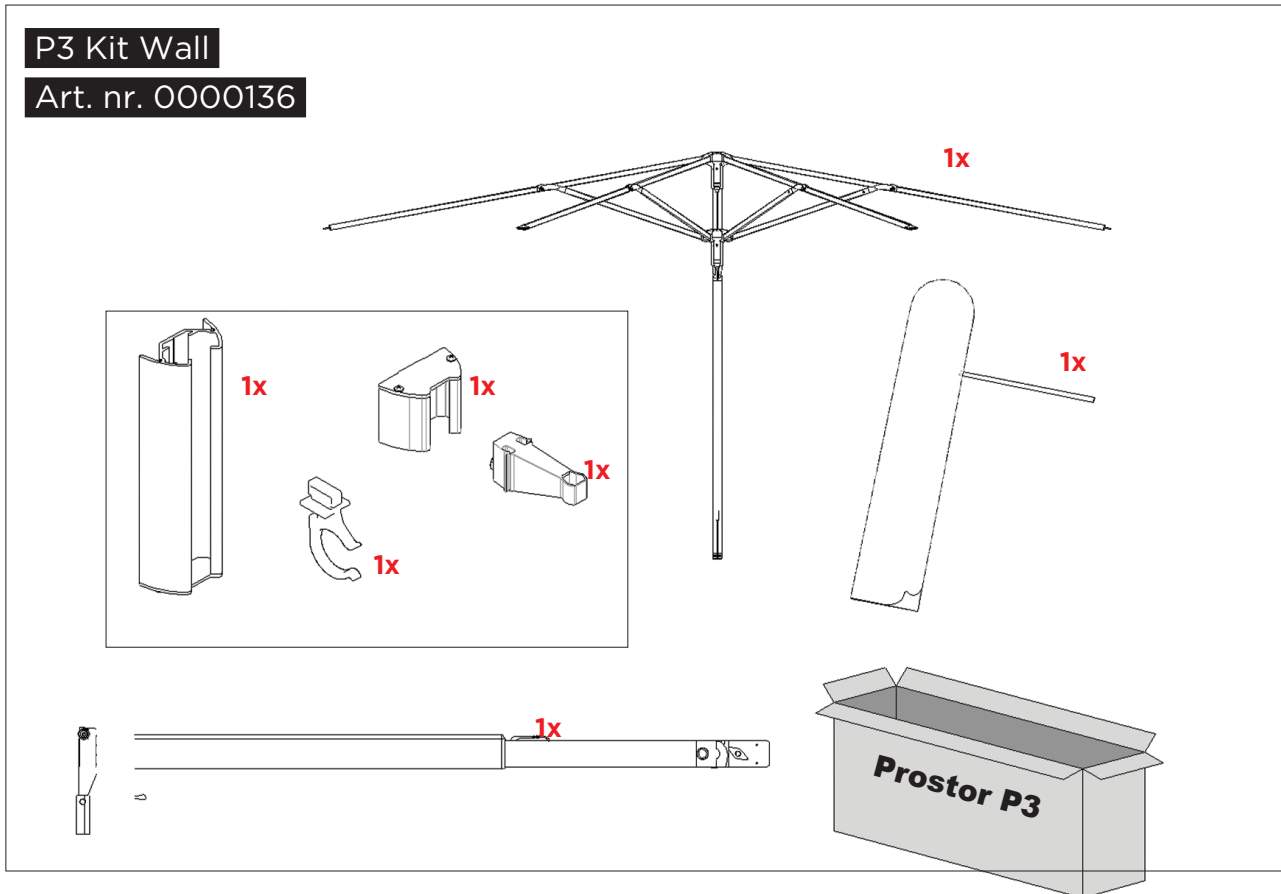
Note: Wind damage (or any damage caused by acts of nature) is never covered under warranty.

VI. Installation Instructions



P3 - P4

Parts included



VI. Installation Instructions



P3 - P4

Mounting Instructions

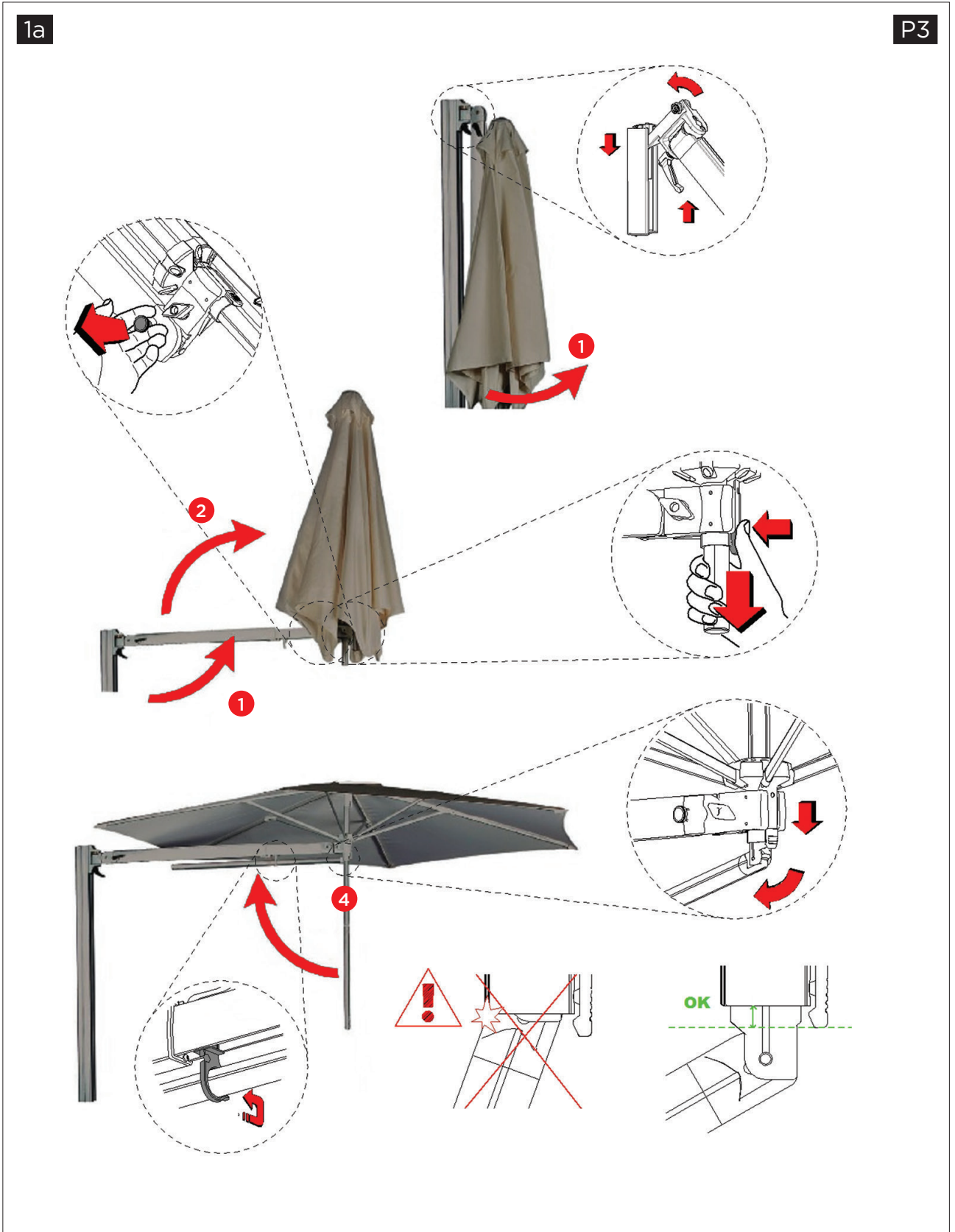
<p>1a P3</p> <p>NOT INCLUDED</p> <p>h</p> <p>Fixing holes Ø 10mm</p>	<p>1b P4</p> <p>NOT INCLUDED</p> <p>h</p> <p>Fixing holes Ø 12mm</p>
<p>2a P3</p>	<p>2b P4</p>
<p>3 P3</p> <p>NOT INCLUDED</p> <p>1000mm</p> <p>Fixing holes Ø 6mm</p>	<p>4 P3 & P4</p>
<p>5 P3 & P4</p>	

VI. Installation Instructions



P3 - P4

Operation Instructions

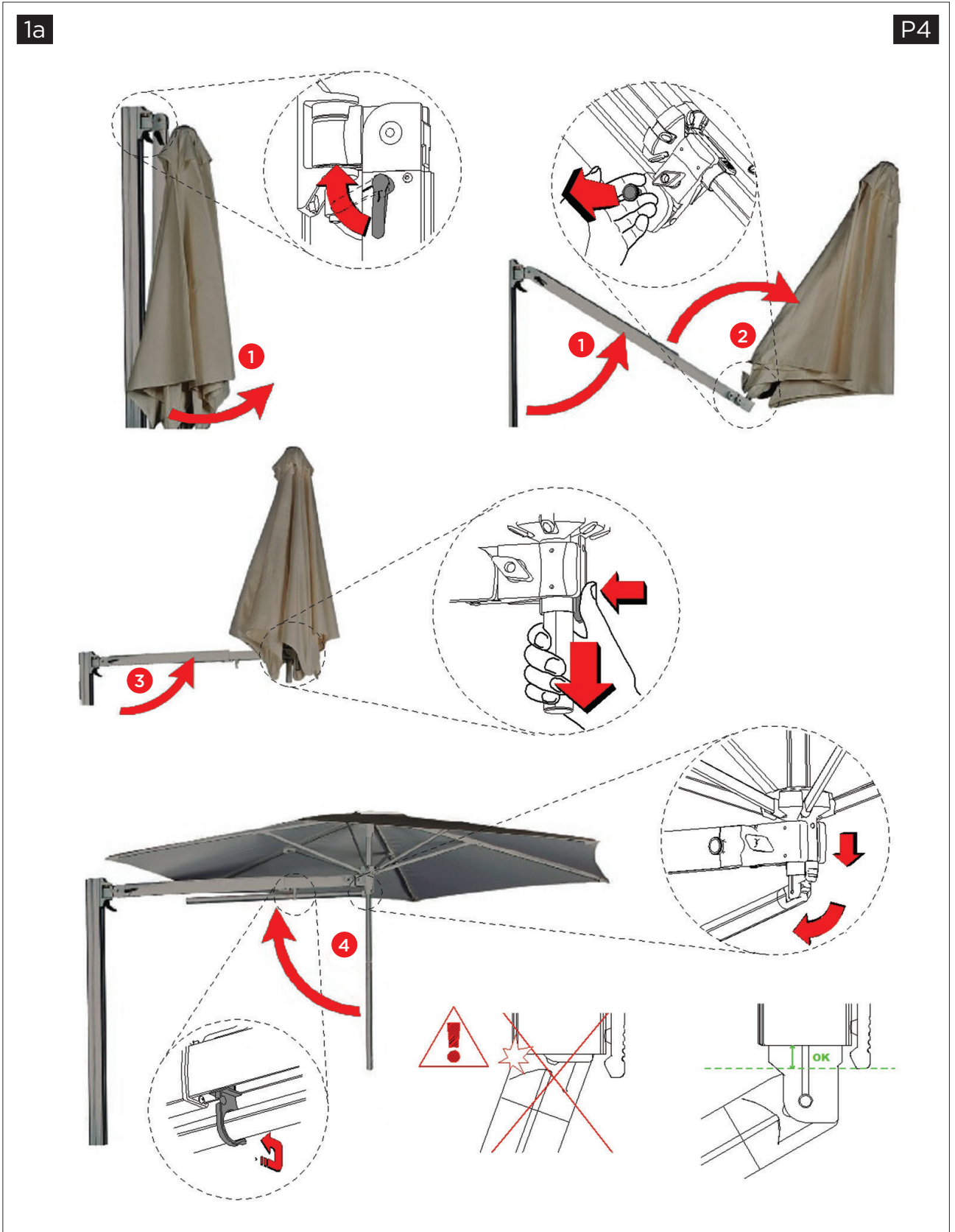


VI. Installation Instructions



P3 - P4

Operation Instructions

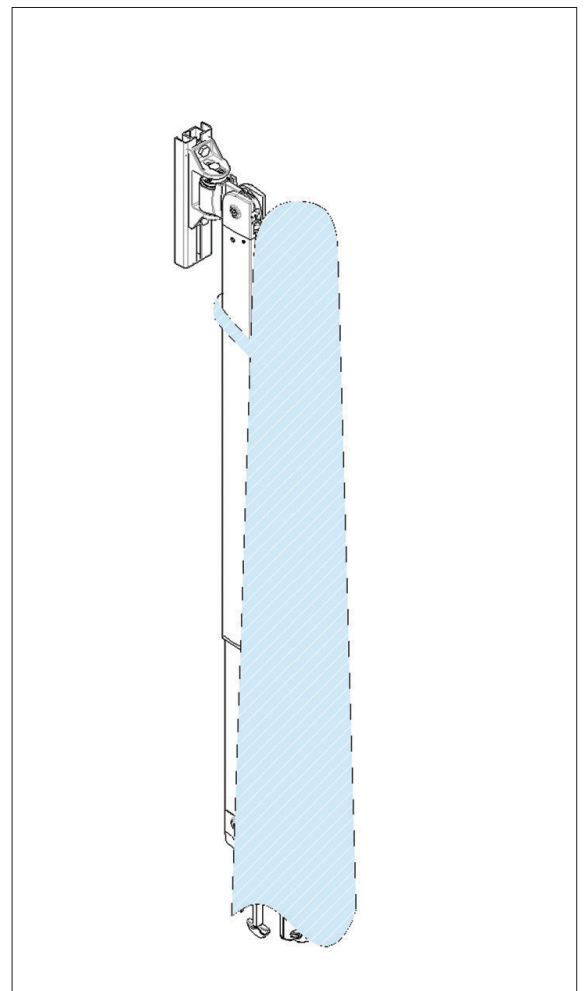
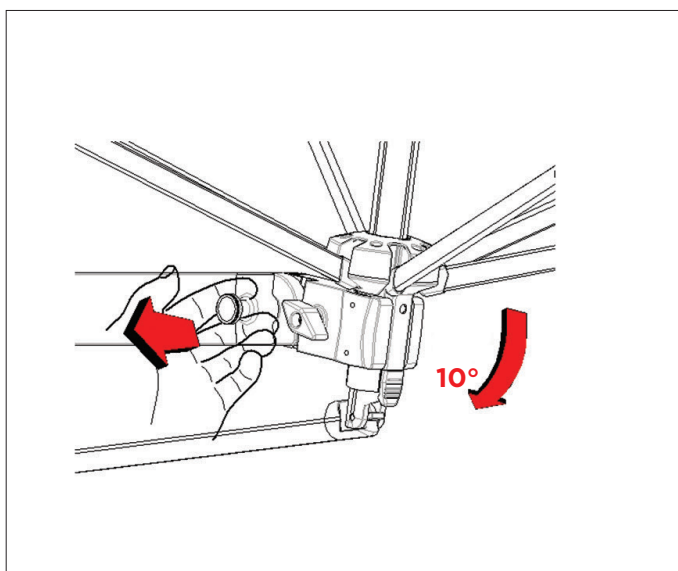
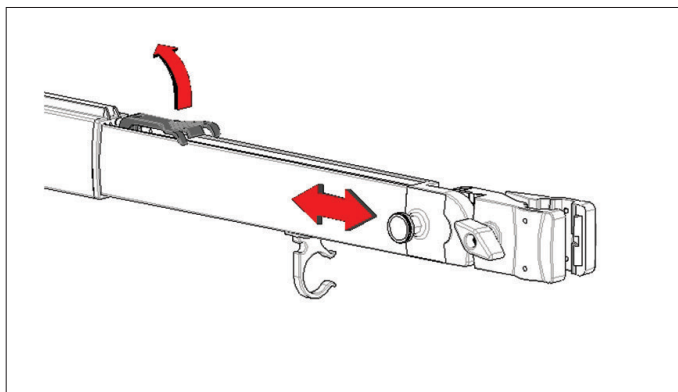
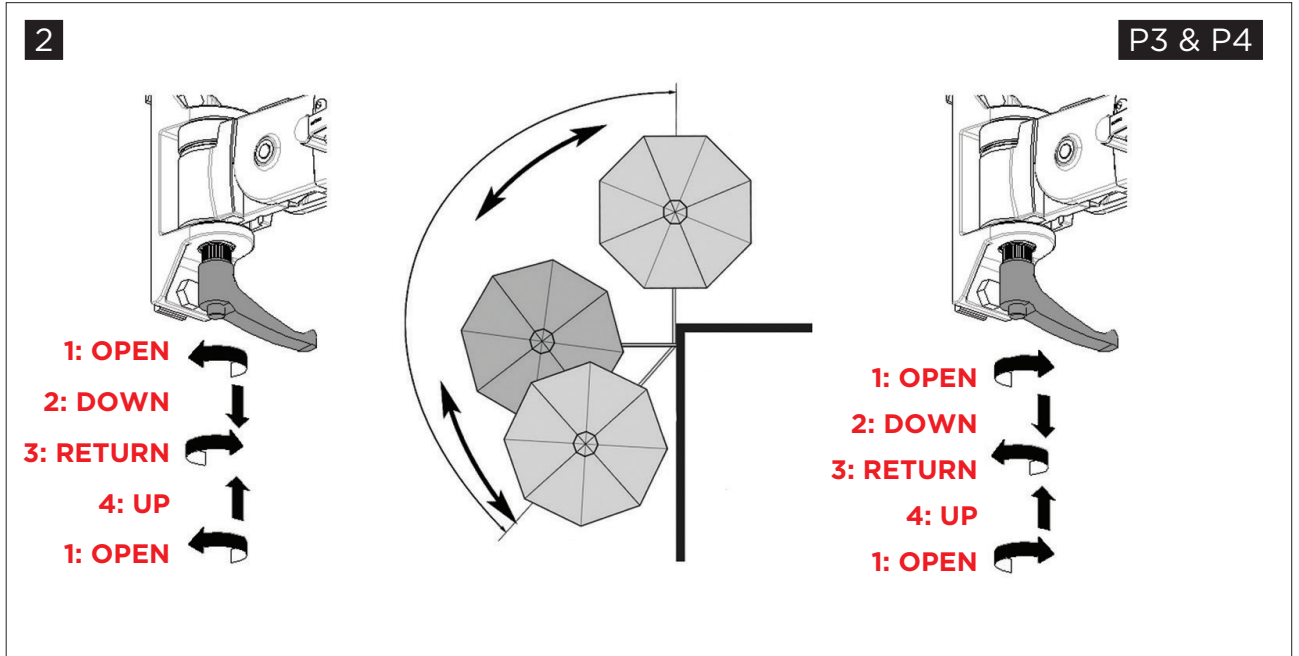


VI. Installation Instructions



P3 - P4

Operation Instructions



VI. Installation Instructions



P3 - P4

Mounting instructions

1. Mounting fixation

1.1. Mounting wall kit P3

Fix the wall bracket on a solid wall or pole. For the fixation holes use suitable bolts M10. Use the wall bracket as drilling plan. Attention: The fixation bolts are not provided. The height h depends on the height of the operator. The height can not be changed afterwards. The advised height to fix the upper wall bracket is 2m.

1.2. Mounting wall kit P4

Fix the wall bracket on a solid wall or pole. The fixation holes need bolts M12. Use the wall bracket as a drilling plan. In case of doubt, contact a professional. Attention: The fixation bolts are not provided. The height h depends on the height of the operator. The advised height can not be changed afterwards. The advised height can not be changed afterwards. The advised height to fix the upper wall bracket is 2m.

2. Mounting arm

2.1. Mounting arm P3

Slide the arm in the wall bracket as shown on the drawing. Ensure that the wheels slides completely in the profile.

2.2. Mounting arm P4

Slide the arm in the wall bracket as shown on the drawing and tighten the bolts with a wrench SW17.

3. Mounting wall stop P3

Remove the arm part of the wall profile and rotate 90° so that the arm hangs down. Determine the position for the attachment of the wall stop. The advised distance is +/- 1m below the upper wall bracket. The fixation holes are 6mm diameter. Attention: The fixation bolts/screws are not provided.

4. Mounting parasol hoke P3/P4

Fix the parasol hoke as shown on the drawing.

5. Mounting parasol P3/P4

Turn the the clamp sufficiently open. Leave the umbrella bags into the clamp as shown in the drawing. Ensure, when closing the clamp, the parasol fits well and stuck in the clamp.

Operating instructions

1. Open/close parasol

1.1. Open/close parasol P3

The arm is positioned vertically next to the wall or pole. Bring the arm to horizontal position (movement 1). The parasol is positioned next to the arm. Pull the black pullbutton and bring the parasol in the vertical position (movement 2). The pullbutton will lock automatically, when the parasol moves to its vertical position. Use this position for removing or mounting the parasol. **Attention:** When mounting the parasol ensure that the parasol fit is neat and as deep as possible in the clamp. To open the umbrella press the button on the umbrella pole and gently pulling down the tube as shown on the drawing. Pull down the tube of the parasol deep enough (past the hinge) then rotate the tube of the parasol in horizontal position into the parasol hoke (movement 4).

1.2. Open/close parasol P4

The arm is positioned vertically next to the wall or pole. Bring up the arm to 45° (movement 1) by turning the small black handle clockwise and pushing the arm up. The parasol is positioned next to the arm. Pull the black pullbutton and bring the parasol in the vertical position (movement 2). The pullbutton will lock automatically, when the parasol moves to its vertical position. Use this position (45°) for removing or placing the parasol. **Attention:** When mounting the parasol ensure that the parasol fit is neat and as deep as possible in the clamp. Move the arm to horizontal position (mo-

VI. Installation Instructions



P3 - P4

vement 3), turning the black handle clockwise as shown in drawing 1. Open the parasol by pushing the button on the umbrella pole and gently pulling down the the tube as shown on the drawing. Pull down the tube of the parasol deep enough (past the hinge) then rotate the tube of the parasol in horizontal position in the parasol hoke (movement 4).

2. Swerving the parasol P3/P4

Horizontally swerving of the arm by means of releasing the handle. After swerving, thighten the handle.

3. Extend the parasol P3/P4

Open de flipper by putting it upright on the arm. Slide the telescopic arm in the desired position and confirm te position by pressing the flipper down tot the arm.

4. Tilt of the parasol P3/P4

Pull on the black handle as shown on the drawing, and the parasol will tilt 10° into its tilt position.

5. Protection cover P3/P4

To ensure a maximum duration of the parasol, cover the parasol after use with a protection cover.

Operation illustration

Operation P3



Operation P4



Maintenance instructions

1. Cleaning instructions fabric

- Clean the fabric with garden hose or warm tap water and mild soap. Rinse thoroughly.
- The fabric should dry in open air and an automatic dryer is prohibited.
- Do not close the umbrella until the fabric is dry.
- Never use an abrasive, hight pressure hose or corrosive products.
- Do not wash the umbrella fabric in the washing machine.
- Use annually a spray to keep the fabric waterproof.
- Prostor offers the following products::
 - 'Prostor Cleaner' (powerful fabric cleaner) and
 - 'Prostor Rain Guard' (makes fabric water repellent).

2. Maintenance frame and pole

- Grease all moving parts annually with oil or a light lubricator.
- The synthetic parts and aluminum gliding profiles may only be greased by using a dry-lubricator sch as silicone spray.
- Clean mast and frame with water periodically, more often if installation is in a salty or industrial environment.
- Inspect the installation fitting