

Eclipse 2.0

Heavy Duty Cantilever Umbrella

- Commercial-grade quality for your home
- Full 360° rotation to maximise shade coverage
- Unlimited tilt positions to block out low afternoon sun
- Marine-grade materials
- Heavy duty construction can stay outside all year round
- Easy installation options
- Can be braced with (optional) stabiliser bars for additional wind stability

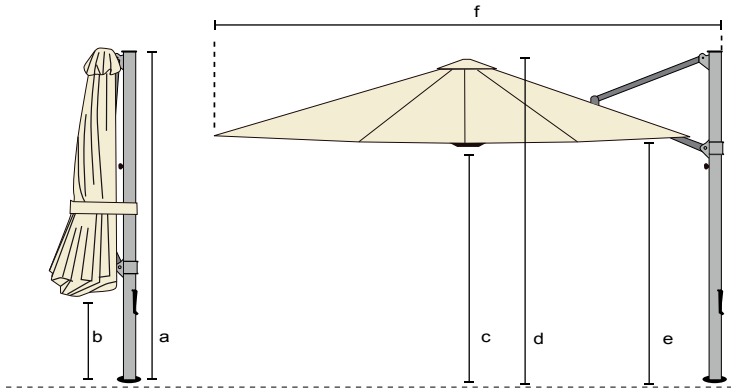


65 km/h
Wind Rating

www.instashade.co.uk

InstaShade
PARASOLS

The Eclipse 2.0



Dimensions

*all measurements are rounded and are subject to change.

Dimensions of closed umbrella

a: Mast height (cm)

b: Distance from arms to ground (cm)

Weight of umbrella when folded (kg)

3m sq	4m oct	3.5m sq	4m X 3m
283	283	283	283
68	80	35	35
35	37	37	37

Dimensions of open umbrella

c: Height to canopy hub (cm)

d: Total height to top of canopy (cm)

e: Height to edge of canopy (cm)

f: Distance from back of mast to front tip of canopy (cm)

Width of canopy (cm)

205	207	212	216
283	275	289	280
210	210	210	218
329	405	375	327
300	400	350	400 x 300

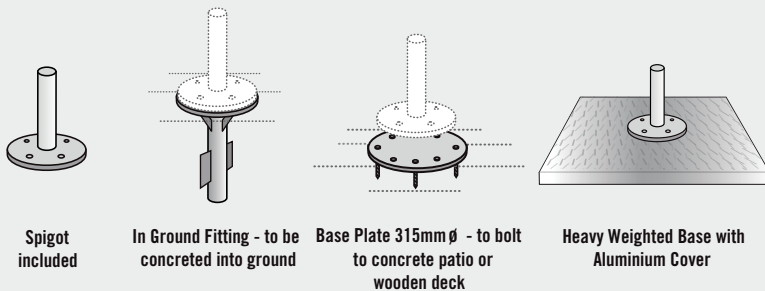
Packaging dimensions

Dimensions of cardboard packaging (cm)

Weight of umbrella when packaged in carton with spigot (kg)

295x51x30	295x51x30	295x51x30	295x51x30
49	51	51	51

Base and Installation Options



Standard Colours

Canopies are made of Premium 100% Solution Dyed Acrylic Canvas with a 10 year warranty against fading.



Black

Smoked
Tweed

Slate

Natural

*Fabric colours may vary slightly from printed swatches shown above. Other colours available to order, surcharge may apply

Frames

Frames are made of Marine Grade Anodised Aluminium with a 3 year warranty against mechanical defects.



HEAVY DUTY EXTRUDED
ALUMINIUM MAST



INFINITY TILT SYSTEM



SILENT CRANKING SYSTEM



EXTRUDED ALUMINIUM JOINTS