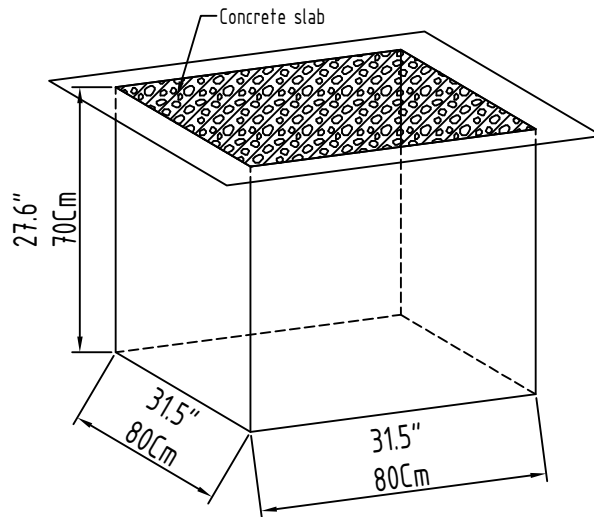


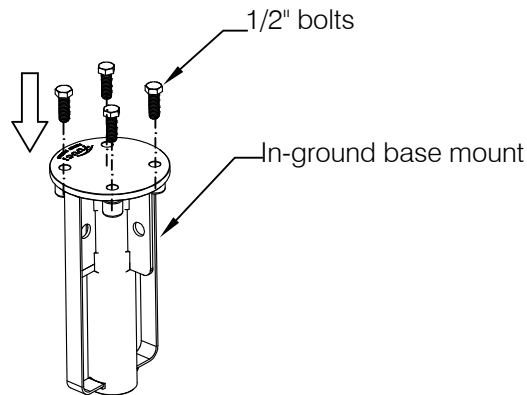
# INSTALLATION INSTRUCTIONS

IN-GROUND SECURITY BASE

Step1. Design concrete slab with dimensions of 31.5" (80cm) X 27.6" (70cm) .

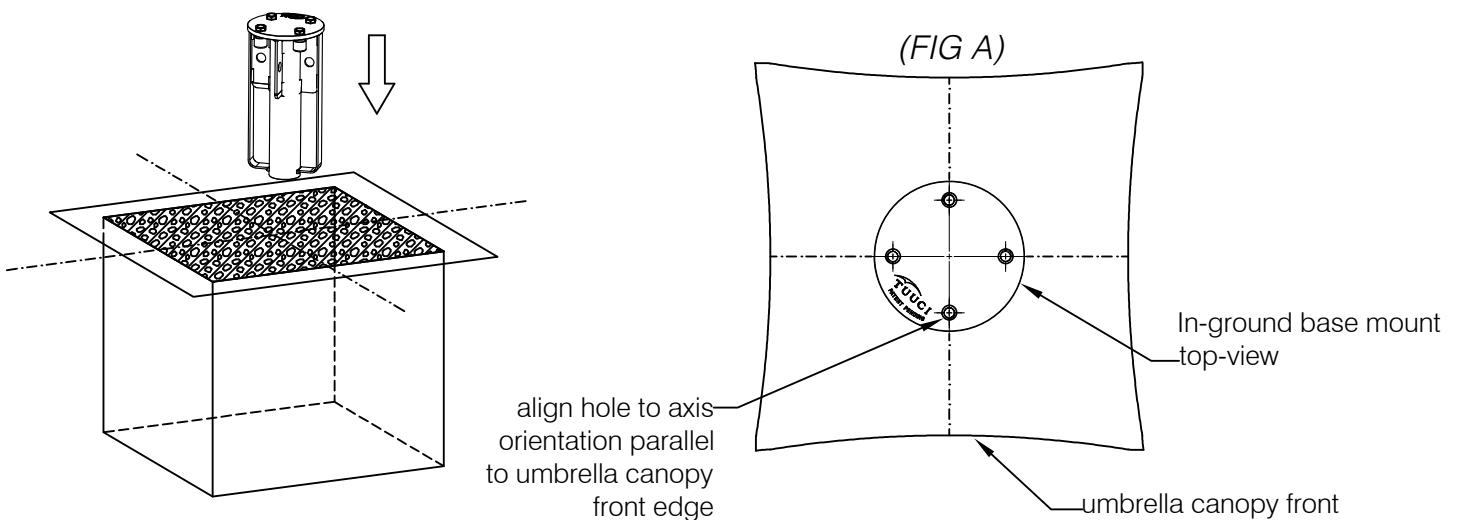


Step2. Insert 1/2" mounting bolts (4-places) to in-ground base mount.



Step3. Pour concrete and insert in-ground base mount thru center of the concrete slab.

*NOTE: "when inserting the In-ground base mount , reassure that the holes lined-up with the axis orientation in-which you want the parasol to be facing" -> (see FIG A).*

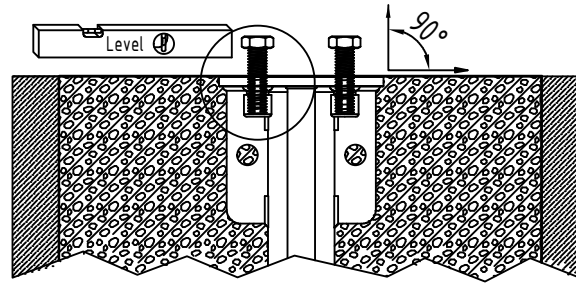


page 1 of 2

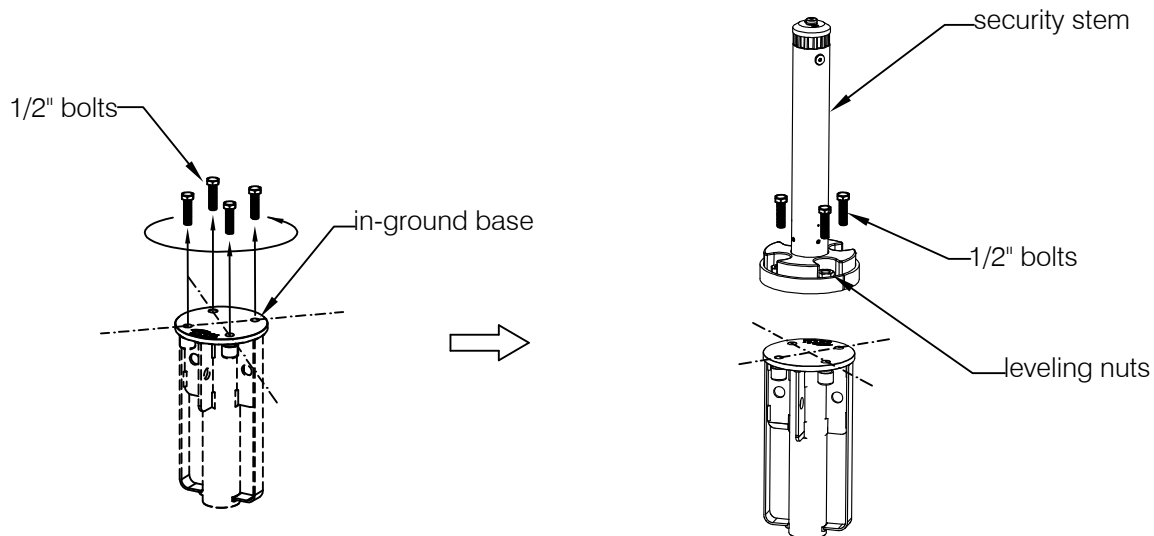
# INSTALLATION INSTRUCTIONS

IN-GROUND SECURITY BASE

Step 4. Make sure the top of the in-ground base mount is flush and level with the top of the concrete .



Step 5. Once concrete is cured remove 1/2" mounting bolts (4-places) . Place the security stem on the in-ground base mount and reinsert the 4 mounting bolts into the leveling nuts. Screw the mounting bolts into the in-ground base mount, NOTE: do not tighten the bolts completely .



Step 6. The SECURITY STEM may not be exactly 90 degree to create a level canopy. Use the LEVELING BUBBLE as a guide to better adjust the level of the SECURITY STEM. Adjustments should be made with the canopy as a reference point, not the SECURITY STEM. Once the canopy is level, securely tighten all 4 screws (1/2" - 13) with 3/4" wrench.

