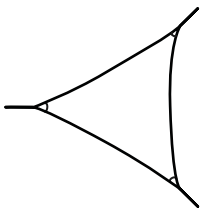


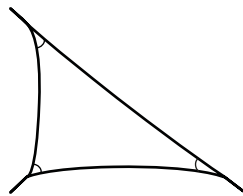


VERSIONS



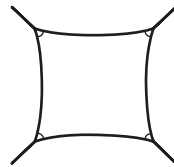
Triangle

- 4x4x4m/13'1"x13'1"x13'1"
- 5x5x5m/16'5"x16'5"x16'5"



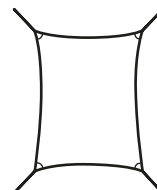
Right-angled triangle

- 4x5x6.4m/13'1"x16'5"x21'



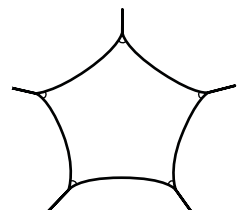
Square

- 3x3m/9'10"x9'10"
- 4x4m/13'1"x13'1"



Rectangle

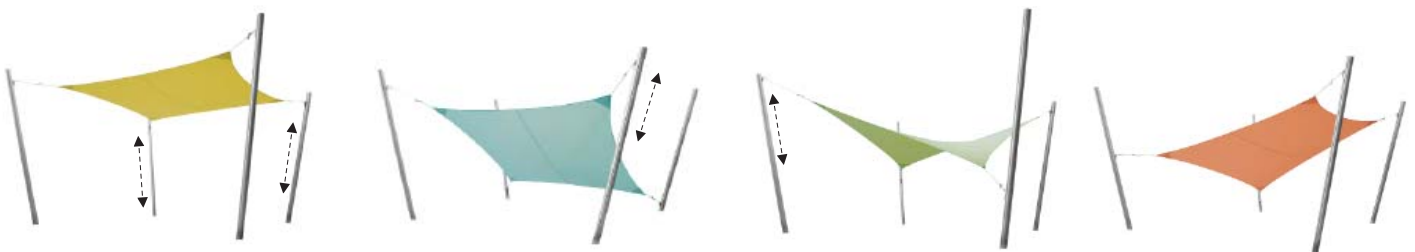
- 3x4m/9'10"x13'1"
- 3x5m/9'10"x16'5"



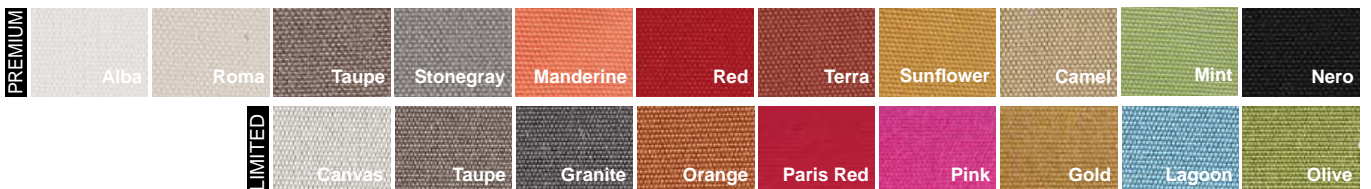
Pentagon

- 3.5m(19.3m<sup>2</sup>)/11'6"(208ft<sup>2</sup>)

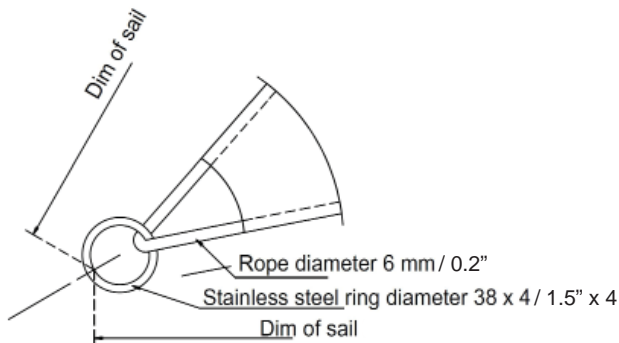
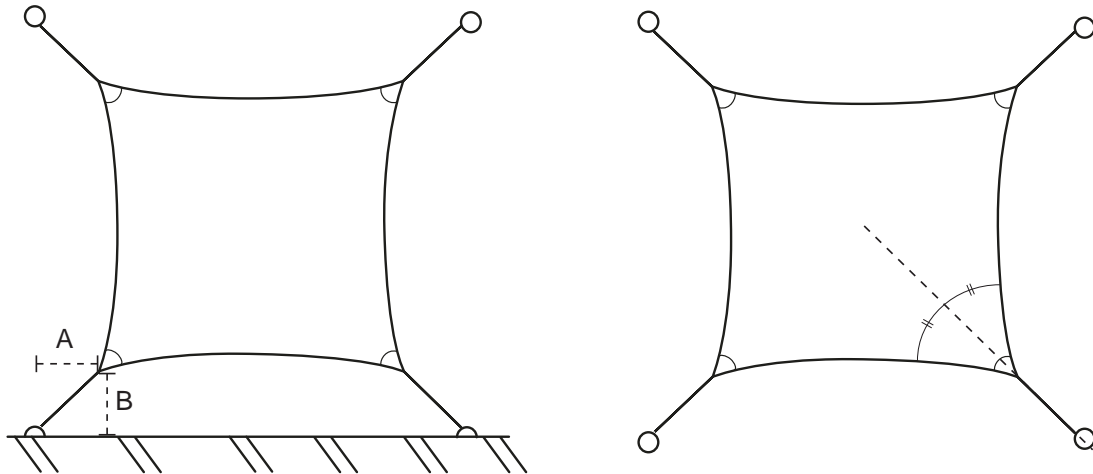
POSITIONS



COLORS



DIMENSIONS



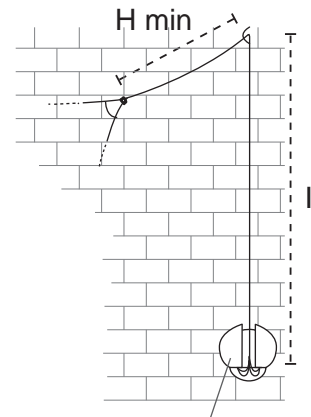
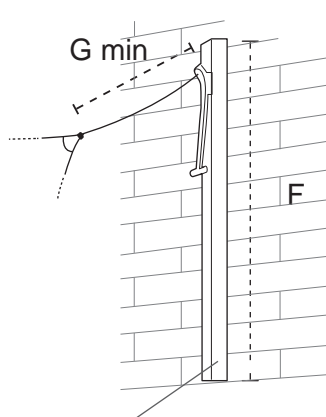
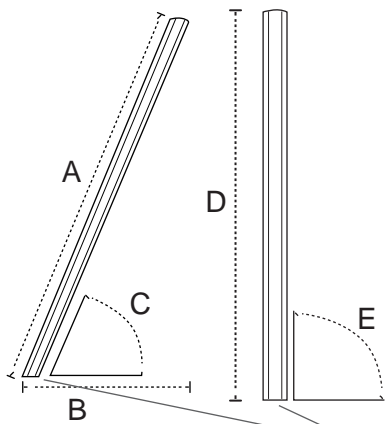
A  
cm/ft                  B  
cm/ft

INGENUA | min. 50 cm/ min. 1'8"      min. 50 cm/ min. 1'8"

DIMENSIONS FIXATION

*Pole installation*

*Wall installation*



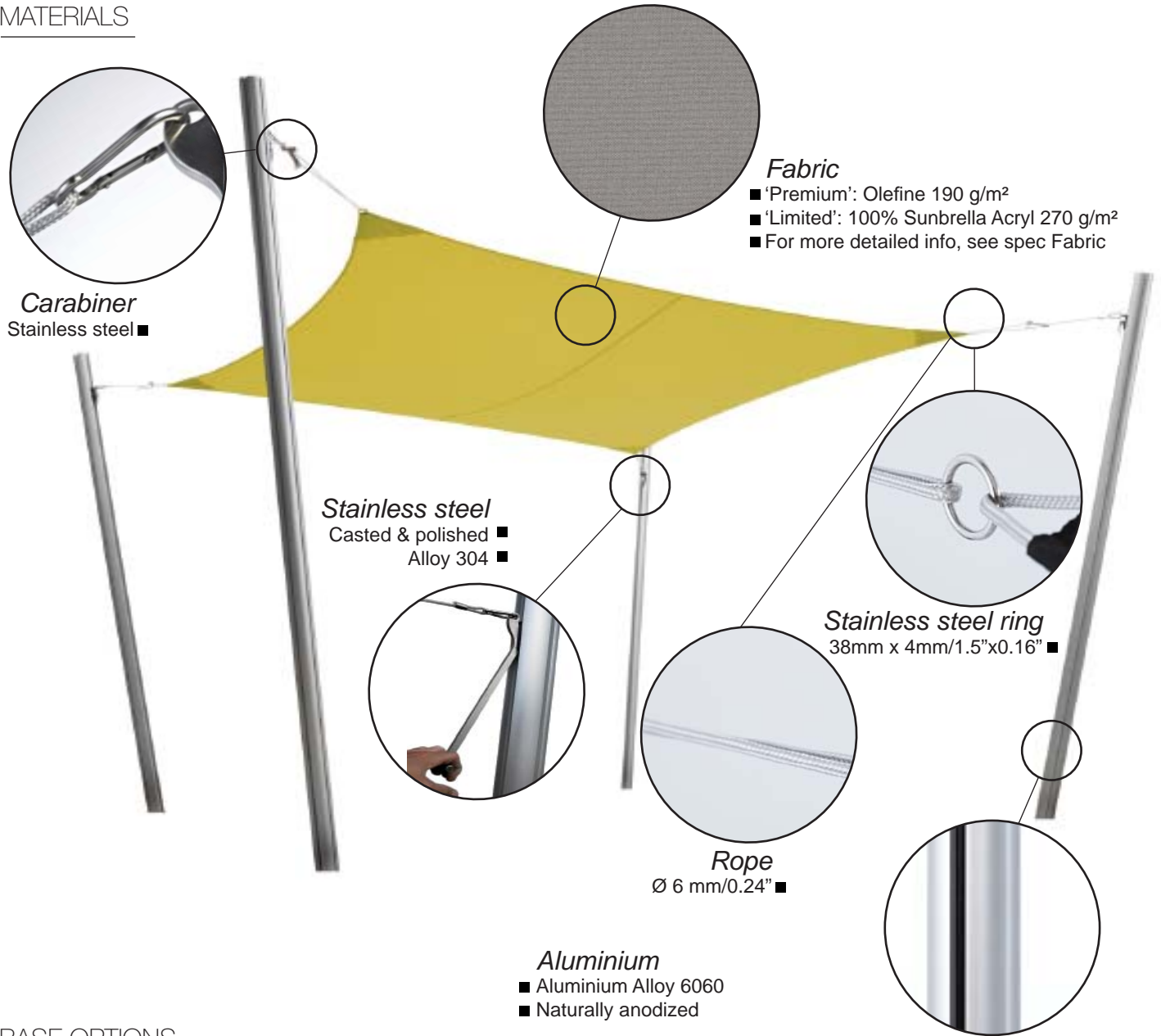
Extruded Aluminium Alloy 6060, naturally anodised

Stainless steel alloy 304

A                  B                  C                  D                  E                  F                  G                  H                  H+I  
cm/ft              cm/ft                  °                  cm/ft                  °                  cm/ft              cm/ft              cm/ft              cm/ft

Pole/wall installation | 260/8'6"      65/2'1.5"      75      260/8'6"      90      165/5'5"      50/ 1'8"      10/4"      <500/<16'5"

MATERIALS



BASE OPTIONS

L	P	Icon
50 cm	40x40x3 mm	n/a
1'7.7"	1.6"x1.6"x0.12"	n/a

Galvanised steel ■

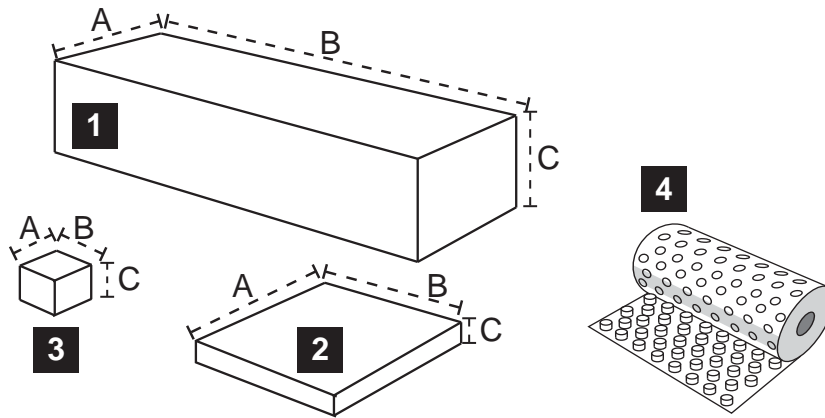
L	P	Icon
50 cm	40x40x3 mm	n/a
1'7.7"	1.6"x1.6"x0.12"	n/a

Galvanised steel ■

L	P	H	Icon
40 cm	40x40x3 mm	50 cm	n/a
1'3.8"	1.6"x1.6"x0.12"	1'7.7"	n/a

Galvanised steel ■  
Pit of 60x60x40cm ■  
or 2"x2"x1'4" fill with concrete

PACKAGING AND TRANSPORT



	qty #	Type	A cm/ft,inch	B cm/ft,inch	C cm/ft,inch	Net weight kg/lb	Brut weight kg/lb
Box Pole	1	1	10/4"	8.5/3"	270/8'10"	0,58/1.3	7,3/15.8
Solid Ground Spigot - 75°	1	4	22/8.7"	22/8.7"	52/1'8.5"	n/a	4/8.8
- 90°	1	4	22/8.7"	22/8.7"	50/1'7.7"	n/a	4/8.8
In-Ground Fitting Rod - 75°	1	3	15/5.9"	87/2'10.3"	5/2"	0.12/0.26	4/8.8
- 90°	1	3	15/5.9"	87/2'10.3"	5/2"	0.12/0.26	4/8.8
In-Ground Fitting Screw	1	3	15/5.9"	87/2'10.3"	5/2"	0.12/0.26	7.3/15.8
Wall Fitting Box	1	3	16/6.3"	20/7.9"	8/3.1"	0,04/0.09	0,2/0.44
Wall Fitting for profile Box	1	2	11/4.33"	173/5'8.1"	10/3.9"	0,39/0.85	4/8.8

NICE TO KNOW

■ All umbrella's include:

*Manual*



*Storage Bag*

- PU coated fabric
- Can resist a water column of 500mm/1'8"
- Easy to use thanks to zipper and auxiliary tool

- All parts can be ordered separately
- Designed and made in Belgium
- 2 yrs warranty on structure, 3 yrs on decoloration of fabric
- For more info check

[www.umbrosa.be](http://www.umbrosa.be)  
[www.youtube.com/UmbrosalInnovation](https://www.youtube.com/UmbrosalInnovation)  
[www.facebook.com/Umbrosa](https://www.facebook.com/Umbrosa)

- As a guideline we refer to the following wind speeds  
6 beaufort, 50km/h, 31mph

Tested at **TU Delft**



CONTACT

**UMBROSA**<sup>®</sup>  
 UNIQUE SHADE DESIGN

Heirweg 198A  
 8800 Roeselare  
 BELGIUM

T: +32 51 30.22.60  
 F: +32 51 30.22.62  
 E: [info@umbrosa.be](mailto:info@umbrosa.be)

The content of this document, in particular the mentioned models, is protected by copyrights and/or design rights. The present document and its content is communicated to you for information purposes only. Any partial or total reproduction or any other use without our prior written permission is strictly prohibited. This technical sheet remains subject to possible changes. Of course we do our best to eliminate all mistakes, but Umbrosa is not responsible for the errors in the documentation of products. All measurements are approximate and are provided for informational purposes only.